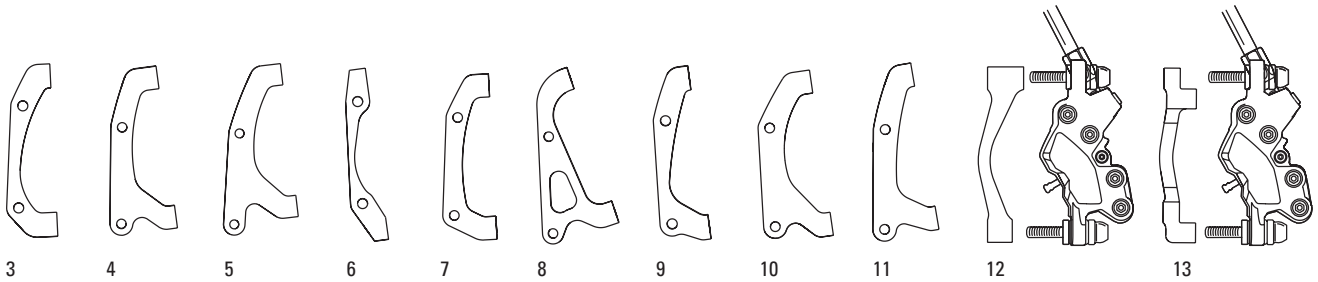
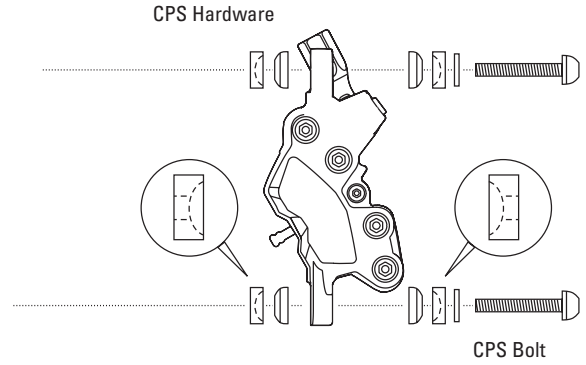
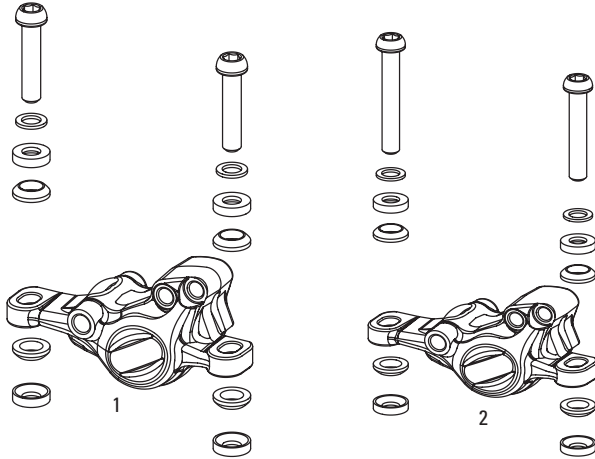


MOUNTING BRACKETS / CPS HARDWARE



CPS Mounting Orientation



No.	Part Number	Description
1	11.5012.867.000	CPS Hardware Titanium Qty 1
1	11.5363.022.200	CPS Hardware Kit, Qty 1
2	11.5012.868.000	CPS Hardware Titanium 185mm post Qty 1
2	11.5310.187.000	CPS Hardware Kit, 185 Post Disc, Qty 1
3	11.5376.402.600	CPS Mounting Bracket Extruded - R160mm rotor
4	00.5315.012.010	CPS Mounting Bracket Extruded - Rear 185 IS
5	00.5315.012.050	CPS Mounting Bracket Extruded - Rear 203 IS
6	11.5376.302.900	CPS Mounting Bracket Extruded Front 160mm/Rear 140mm Rotor
7	00.5315.012.000	CPS Mounting Bracket Extruded - Front 185mm IS
8	00.5315.012.030	CPS Mounting Bracket Extruded - Front 185 Boxxer
9	11.5373.502.600	CPS Mounting Bracket - Boxxer 203mm rotor
10	00.5315.012.040	CPS Mounting Bracket Extruded - Front 203 IS
11	11.5373.602.300	CPS Mounting Bracket - QR20 203mm rotor
12	00.5315.012.020	CPS Mounting Bracket Extruded - Front 185mm Post (includes 185 post-mount bolts)
13	00.5315.012.060	CPS Mounting Bracket Extruded - Front 203 Post
ns	11.5315.041.000	DB IS Bracket Bolt Steel, Qty 2