

SLIDE TRAIL AL

MODEL YEAR: 2022 -

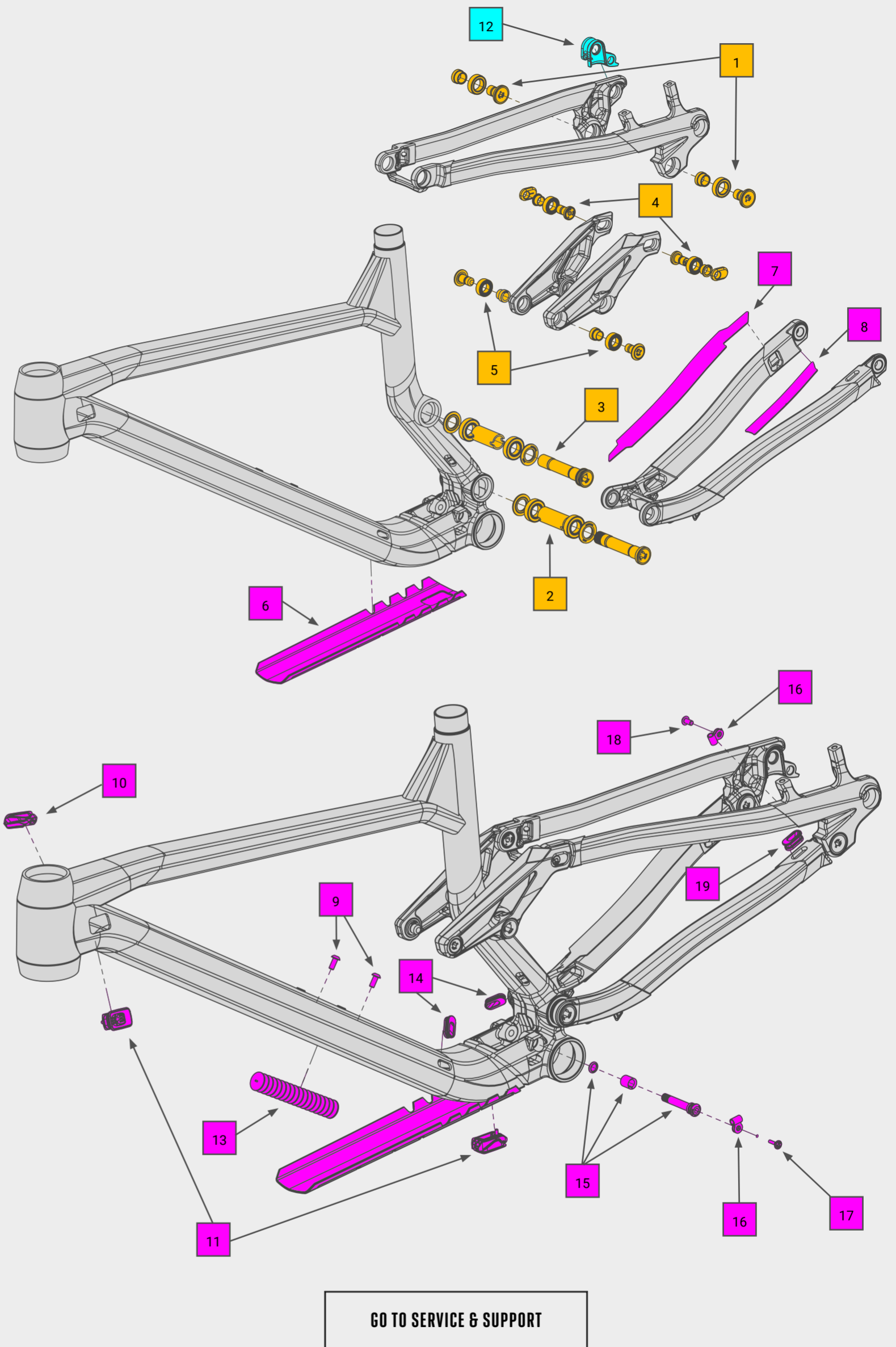
PLEASE USE THE ITEM NUMBER TO FIND THE PART IN OUR ONLINE SHOP: [BIKE-DISCOUNT.DE](https://bike-discount.de)

RADON

NO.	QTY.	ITEM NO.	DESCRIPTION
1	2	10433	BEARING SET HORST LINK LEFT SLIDE TRAIL BEARING DIMENSIONS: 1X „3802 2RS MAX“
2	1	10430	MAIN BEARING SET BEARING DIMENSIONS: 2X „7902 2RS MAX“
3	1	10431	DEFLECTION LEVER BEARING SET SLIDE TRAIL BEARING DIMENSIONS: 2X „7902 2RS MAX“
4	1	10434	BEARING / SCREW SET DEFLECTION LEVER SEAT STAY SLIDE TRAIL, BEARING DIMENSIONS: 2X „63801 2RS MAX“
5	1	10416	JAB / SLIDE TRAIL / SKEEN TRAIL 2020 SHOCKMOUNT SET TOP BEARING DIMENSIONS: 2X „63801 2RS MAX“
6	1	3537	DOWN TUBE PROTECTION SKEEN TRAIL AL / SLIDE TRAIL AL
7	1	34384	PROTECTION STICKER CHAINSTAY TOP SLIDE TRAIL
8	1	34385	PROTECTION STICKER CHAINSTAY BOTTOM SLIDE TRAIL
9	2	-	SCREW ISO 7380-1 M5X12
10	1	33965	R1 DISC CABLE GUIDE RIGHT
11	2	33961	CABLE ENTRY HEAD TUBE JAB / SLIDE HYBRID
12	1	10240	DERAILLEUR HANGER 10240 AXH (SHORT)
13	1	34018	NOISE DAMPER BRUSH
14	2	33917	CABLE ENTRY FOR CARBON FRAMES
15	1	10413	JAB / SLIDE TRAIL / SKEEN TRAIL 2020 SHOCKMOUNT SET BELOW
16	2	33936	CABLE GUIDE 5MM (5 PIECES)
17	1	25617	SLIDE TRAIL/SKEEN TRAIL/JAB SCREW IN DAMPER BOLT
18	1	-	SCREW ISO 7380-1 M5X10
19	1	33929	OPEN PLUG SEAT TUBE

TECHNICAL SPECIFICATIONS

HEADSET DIMENSIONS	TOP: 1 1/8" SEMI INTEGRATED (ZS 44) BOTTOM: 1,5" SEMI INTEGRATED (ZS 56)
SEAT POST DIAMETER	31,6 MM
SEAT CLAMP DIAMETER	34,9 MM
BREAKMOUNT REAR	POSTMOUNT Ø 180 MM
REAR BRAKE	MAX. 203 MM
DROPOUT	X12/BOOST 148 MM
SHOCK DIMENSION	LENGTH: 185 MM X 55 MM HARDWARE: UPPER: 54 MM TRUNNION; LOWER: 8MM X 22,2
MAX. PERMISSIBLE WEIGHT	135 KG
TIRE	MAX. 29" X 2,4"
BOTTOM BRACKET STANDARD	BB92 PRESSFIT



HINWEIS: Sämtliche Informationen, die in diesem Dokument enthalten sind, sind STRENG VERTRAULICH. Jeder Empfänger dieses Dokuments darf die darin enthaltenen Informationen, direkt oder indirekt, nur mit ausschliesslicher, schriftlicher Zustimmung der Firma MBCAD an Dritte weitergeben oder offenlegen. Die Firma MBCAD behält sich alle Rechte in Bezug auf Urheberrechtsgesetz, Patent- und Gebrauchsmusterschutz vor. Lizenzrechte werden hierdurch nicht erteilt.

NOTE: The information or material contained in this document is STRICTLY CONFIDENTIAL and any recipient of this document shall not disclose or divulge, directly or indirectly, this document or the information or material contained herein without the written consent of the company MBCAD. All copyrights, trademarks, patents and other rights in connection herewith are expressly reserved to the company MBCAD and no license is created hereby.