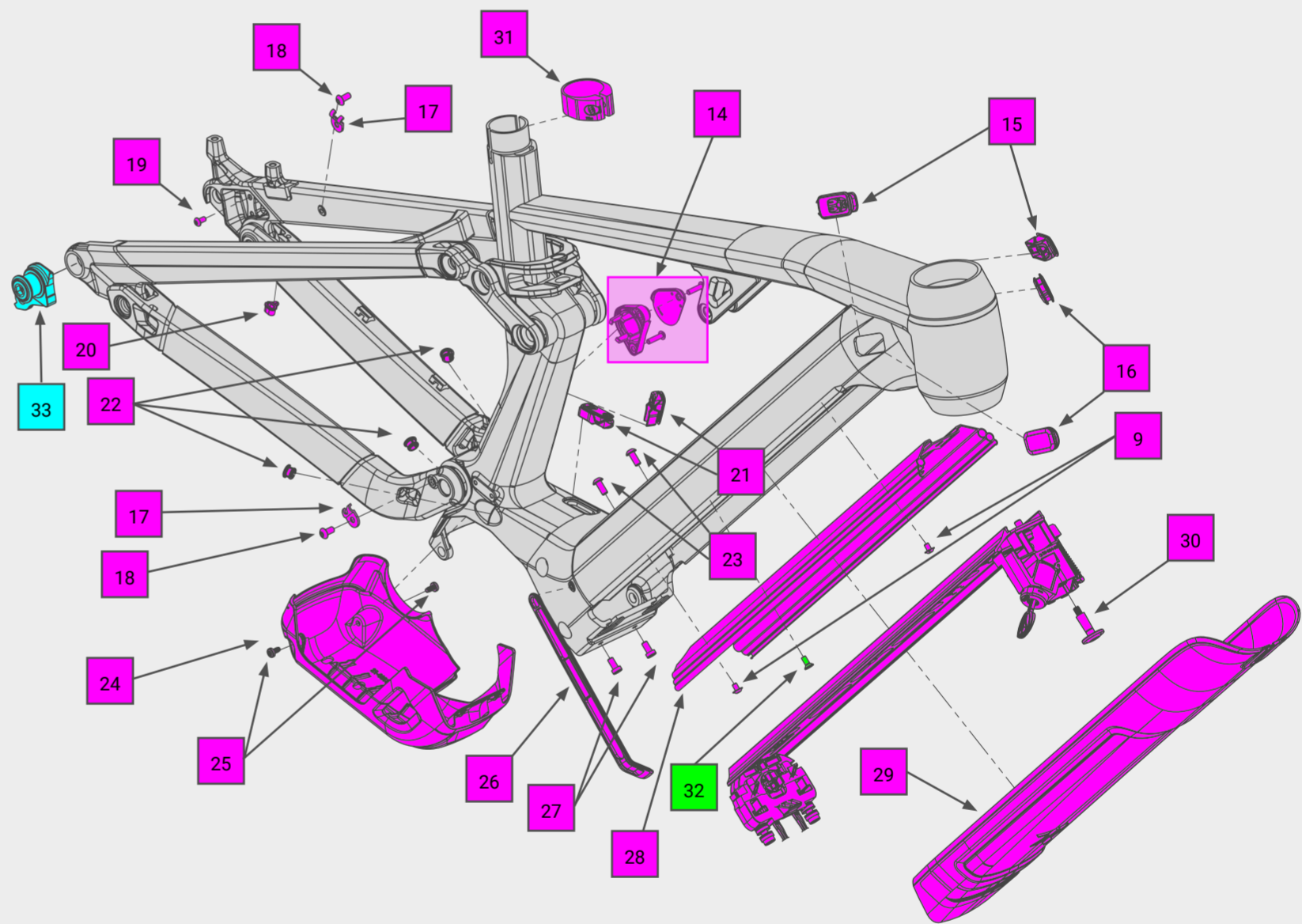
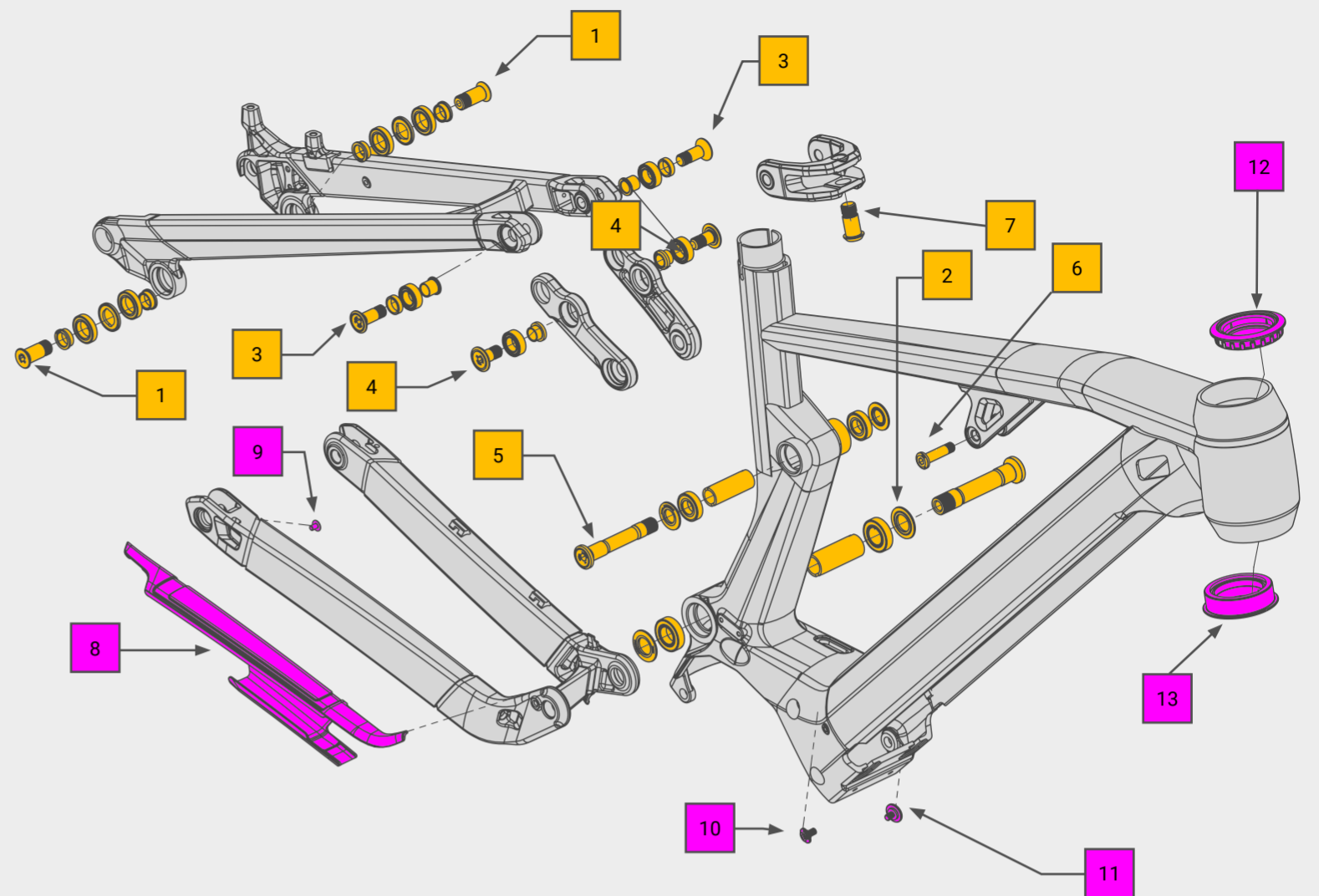


NO.	QTY.	ITEM NO.	DESCRIPTION
1	1	3923	RENDER HORSTLINK BEARING SET BEARING DIMENSIONS: 4 X 6802 2RS
2	1	10430	MAIN BEARING SET BEARING DIMENSIONS: 2 X 6902 2RS
3	1	3922	RENDER LINKAGE/SEAT STAY BEARING SET BEARING DIMENSIONS: 2 X 3801 2RS
4	1	3921	RENDER LINKAGE BEARING SET BEARING DIMENSIONS: 2 X 3801 2RS
5	1	3924	RENDER ROCK MOUNT BEARING SET BEARING DIMENSIONS: 2 X 6901 2RS
6	1	8555	RENDER AL SHOCK MOUNT BOLT ABOVE
7	1	3901	RENDER HYBRID M12X30.5 BOLT FOR SHOCK MOUNT
8	1	3275	RENDER HYBRID CHAINSTAY PROTECTION
9	3	3121	RENDER HYBRID M4X6 SCREW FOR CHAINSTAY PROTECTOR
10	1	3927	RENDER HYBRID M5X11 SCREW FOR STRAP RIGHT
11	1	3919	RENDER HYBRID M5X11 SCREW FOR STRAP LEFT
12	1	20101827	ZS56 BLOCKLOCK HEADSET UPPER PART OD 62MM
13	1	20101829	ZS56 BLOCKLOCK HEADSET LOWER PART
14	1	3443	HYBRID CHARGERPLUG HOLDER WITH COVER BES 3
15	2	3209	RENDER HYBRID CABLE BUSHING CLAMPED
16	2	3763	RENDER HYBRID CLOSED PLUG
17	2	3188	SWOOP CA 170 CABLE GUIDE CHAIN STAY
18	2	-	SCREW ISO 7380-1 M5X10 A2 HEX 3
19	1	-	SCREW ISO 7380-1 M4X8 A2 HEX.2,5
20	1	3869	SPEED SENSOR CLAMP
21	2	33963	HYBRID CABLE GUIDE DROPPER POST
22	3	34357	HYBRID CABLE GUIDE
23	2	-	SCREW ISO 7380-1 M5X12 10.9 HEX 3
24	1	3592	DEFT HYBRID BES3 DRIVE UNIT COVER
25	2	3276	RENDER HYBRID / JEALOUS HYBRID M4X8 SCREW FOR DRIVE UNIT COVER
26	1	3273	RENDER HYBRID / JEALOUS HYBRID STRAP FOR BATTERY COVER
27	2	3104	SCREW DIN 6912 M5X10 A2 TUFLOK HEX 4
28	1	3406	BOSCH BES3 CABLE CANAL
29	1	4108	RENDER AL HYBRID BATTERY COVER
30	1	3594	DEFT SCREW FOR BATTERY COVER TOP
31	1	3885	SEAT CLAMP RENDER AL
32	1	-	625 WH BATTERY ONLY: SCREW ISO 7046-1 M4X10 8.8 CRH
33	1	20076315	SRAM UDH UNIVERSAL ALUMINIUM DERAILLEUR HANGER



- Option 1 - Mechanical groupset:**  
you need all the pink highlighted items, except for Number 16 (only for Integrated Cable Routing)
- Option 2 - 625 Wh Battery only:**  
you need the pink highlighted items and additionally the green highlighted items.

**GO TO SERVICE & SUPPORT**

HINWEIS: Sämtliche Informationen, die in diesem Dokument enthalten sind, sind STRENG VERTRAULICH. Jeder Empfänger dieses Dokuments darf die darin enthaltenen Informationen, direkt oder indirekt, nur mit ausschliesslicher, schriftlicher Zustimmung der Firma MBCAD an Dritte weitergeben oder offenlegen. Die Firma MBCAD behält sich alle Rechte in Bezug auf Urheberrechtsgesetz, Patent- und Gebrauchsmusterschutz vor. Lizenzrechte werden hierdurch nicht erteilt.

NOTE: The information or material contained in this document is STRICTLY CONFIDENTIAL and any recipient of this document shall not disclose or divulge, directly or indirectly, this document or the information or material contained herein without the written consent of the company MBCAD. All copyrights, trademarks, patents and other rights in connection herewith are expressly reserved to the company MBCAD and no license is created hereby.

TECHNICAL SPECIFICATIONS	
HEADSET DIMENSIONS	TOP: 1,5" SEMI INTEGRATED OD 62MM BOTTOM: 1,5" SEMI INTEGRATED ACROS AZX-536F BLOCK-LOCK
SEAT POST DIAMETER	31,6 MM
SEAT CLAMP DIAMETER	36 MM
BREAKMOUNT REAR	POSTMOUNT Ø 180 MM
REAR BRAKE	MAX. 203 MM
DROPOUT	X12/BOOST 148 MM
SHOCK DIMENSION	LENGTH: 210 MM X 55 MM HARDWARE: BODY: 8X20MM, SHAFT:12,7MM X 12,7MM (DU)
MAX. LOAD CAPACITY	135 KG
TIRE	MAX. 29" X 2,6
MOTOR	BOSCH PERFORMANCE CX GEN 4 BES 3
BATTERY	BOSCH POWERTUBE 625 WH / 750 WH