

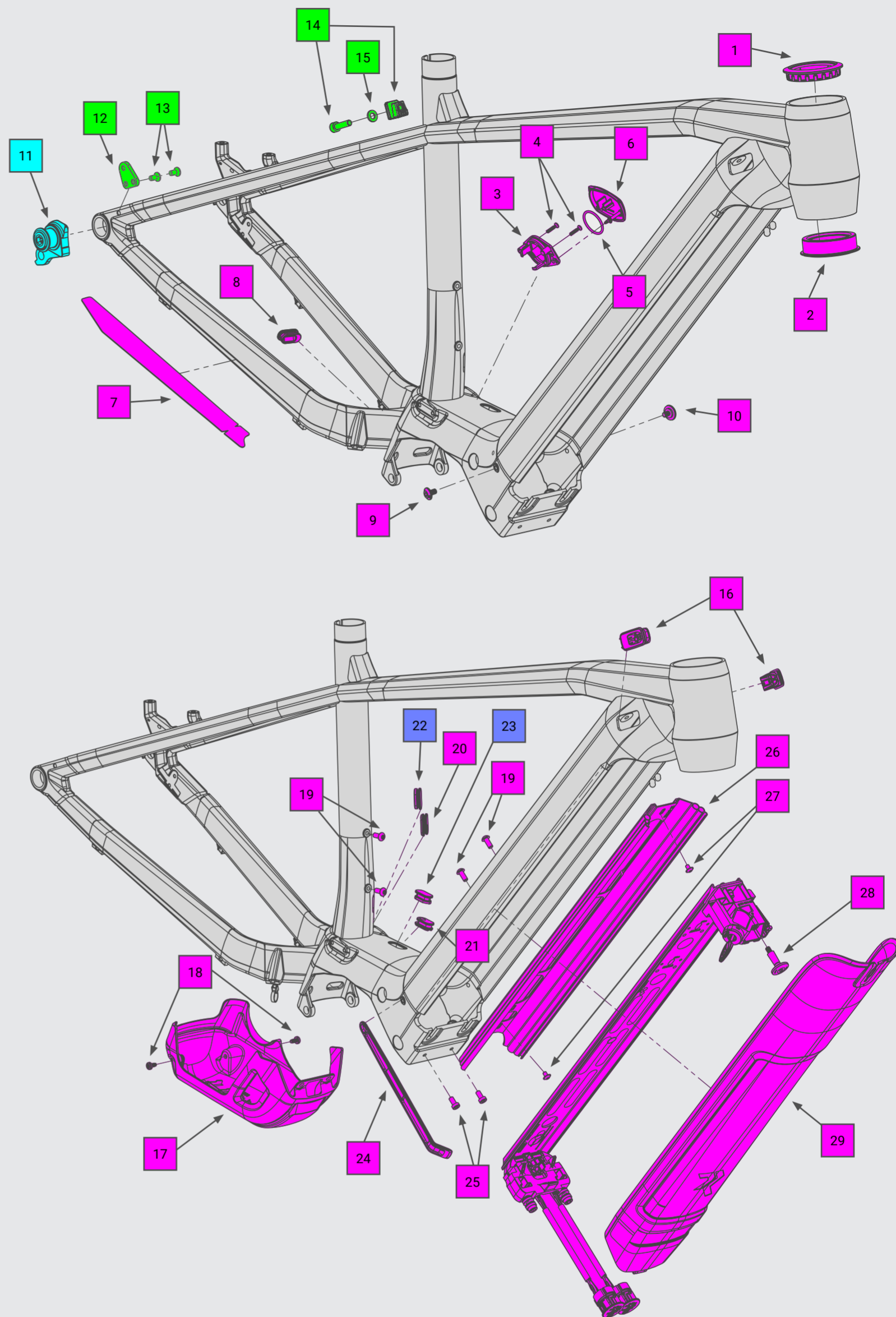
JEALOUS HY 750

MODELYEAR: 2022-

PLEASE USE THE ITEM NUMBER TO
FIND THE PART IN OUR ONLINESHOP:
BIKE-DISCOUNT.DE

RADON

NO.	QTY.	ITEM NO.	DESCRIPTION
1	1	20101827	ZS56 BLOCKLOCK HEADSET UPPER PART OD 62MM
2	1	20101829	ZS56 BLOCKLOCK HEADSET LOWER PART
3	1	35271	JEALOUS HYBRID/RELATE 750 CHARGER BASE PLATE
4	2	35254	JEALOUS HYBRID/RELATE 750 CHARGER SCREWS
5	1	35270	JEALOUS HYBRID/RELATE 750 CHARGER O-RING
6	1	3485	JEALOUS HYBRID/RELATE 750 CHARGER COVER
7	1	3928	JEALOUS HYBRID CHAINSTAY PROTECTION
8	1	33929	OPEN PLUG SEAT TUBE
9	3	3927	RENDER HYBRID M5X11 SCREW FOR STRAP RIGHT
10	1	3919	RENDER HYBRID M5X11 SCREW FOR STRAP LEFT
11	1	20076315	SRAM UDH UNIVERSAL DERAILLEUR HANGER
12	1	3939	JEALOUS HYBRID ADAPTER PLATE FOR REAR CARRIER
13	2	-	SCREW ISO 10642 M5X10 A2 HEX 3
14	1	34340	JEALOUS HBYRID MUDGUARD ADAPTER SET
15	1	-	WASHER ISO 7089 M6 A2
16	2	3209	HYBRID CABLE BUSHING CLAMPED
17	1	3592	DEFT HYBRID BES3 DRIVE UNIT COVER
18	2	3276	RENDER HYBRID / JEALOUS HYBRID DIN 7500 CE, M4X8 SCREW FOR DRIVE UNIT COVER
19	4	-	SCREW ISO 7380-1 M5X12 10.9 HEX 3
20	1	33711	PLUG FOR CARBON FRAME
21	1	33718	RENDER HYBRID/JEALOUS HYBRID CABLE BUSHING
22	1	33916	FRONT DERAILLEUR CLOSED PLUG JEALOUS (AL) /SLIDE TRAIL/JAB
23	1	33928	PLUG DROPPER POST
24	1	3273	RENDER HYBRID / JEALOUS HYBRID STRAP FOR BATTERY COVER
25	2	3104	SCREW DIN 6912 M5X10 A2 TUFLOK HEX 4
26	1	3406	BOSCH BES3 CABLE CANAL
27	2	3121	RENDER HYBRID M4X6 SCREW FOR CHAINSTAY PROTECTOR
28	1	3594	DEFT SCREW FOR BATTERY COVER TOP
29	1	4128	JEALOUS HYBRID/RELATE 750 BATTERY COVER



- Option 1 - with dropper post:**
you need all the pink highlighted items.
- Option 2 - without dropper post:**
you need the pink highlighted items and additionally the purple highlighted items.
- Option 3 - adapter for rear carrier and rear mudguard:**
you need the green highlighted items.

GO TO SERVICE & SUPPORT

HINWEIS: Sämtliche Informationen, die in diesem Dokument enthalten sind, sind STRENG VERTRAULICH. Jeder Empfänger dieses Dokuments darf die darin enthaltenen Informationen, direkt oder indirekt, nur mit ausschliesslicher, schriftlicher Zustimmung der Firma MBCAD an Dritte weitergeben oder offenlegen. Die Firma MBCAD behält sich alle Rechte in Bezug auf Urheberrechtsgesetz, Patent- und Gebrauchsmusterschutz vor. Lizenzrechte werden hierdurch nicht erteilt.

NOTE: The information or material contained in this document is STRICTLY CONFIDENTIAL and any recipient of this document shall not disclose or divulge, directly or indirectly, this document or the information or material contained herein without the written consent of the company MBCAD. All copyrights, trademarks, patents and other rights in connection herewith are expressly reserved to the company MBCAD and no license is created hereby.

TECHNICAL SPECIFICATIONS	
HEADSET DIMENSIONS	TOP: 1,5" SEMI INTEGRATED OD 62MM BOTTOM: 1,5" SEMI INTEGRATED ACROS AZX-536F BLOCK-LOCK
SEAT POST DIAMETER	30,9 MM
SEAT CLAMP DIAMETER	34,9 MM
BREAKMOUNT REAR	POSTMOUNT Ø 180 MM
REAR BRAKE	MAX. 180 MM
DROPOUT	X12/BOOST 148 MM
MAX. LOAD CAPACITY	135 KG
TIRE	MAX. 29" X 2,6"
MOTOR	BOSCH PERFORMANCE CX GEN 4 BES 3
BATTERY	BOSCH POWERTUBE 625 WH / 750 WH
KICKSTAND	ACID FM (PURE/PRO)